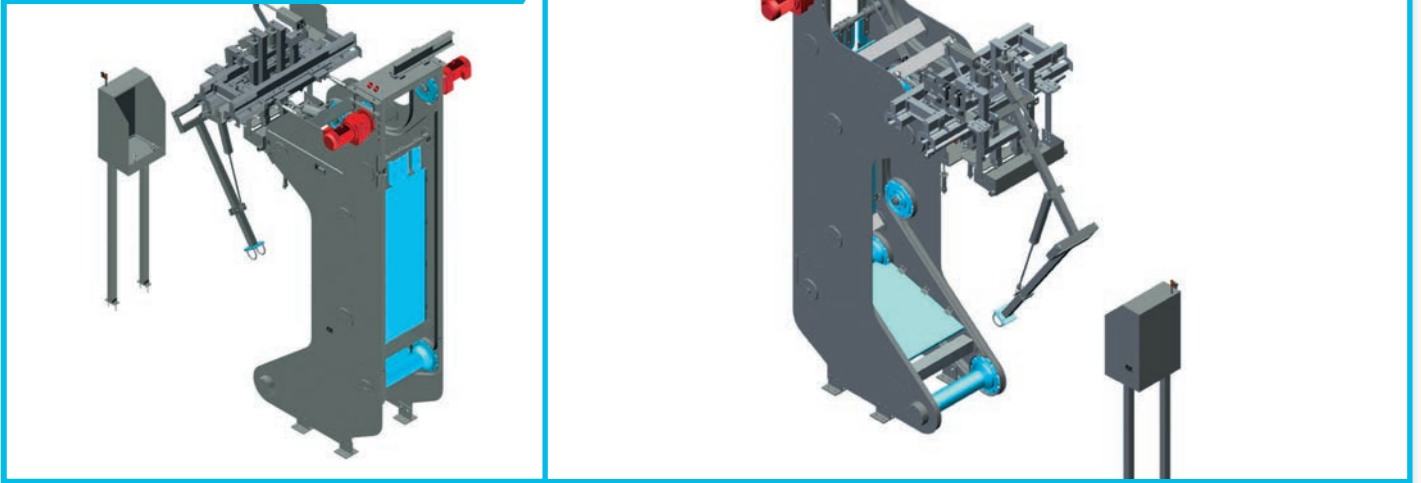


Hide puller type 02028000H2



Efficient and ergonomic dehid

The Frontmatec hide puller for cattle and calves type 02028000H2 is designed for the top to bottom dehid of cattle carcasses including head. The hide puller is suitable for dehid all kinds of cattle in an efficient and ergonomic way, and is specially designed for high capacity lines.

Type 02028000H2 consists of a stainless steel frame on which the dehid roll is constructed. The dehid speed is electronically adjustable. The hide puller is equipped with two electrically-driven dehid chains and hide clamps. The hide is pulled off the carcass from top to bottom. If required, the head can also be dehid. In this case, more height is needed. To prevent the backbone from breaking during the dehid process, electrical stimulation is necessary. The forelegs do not need securing.

The dehid chains are attached to the hide flaps with hide clamps. The cattle must be pre-dehid until below the rear flanks. Once attached, the hide is pulled from the carcass, as the guiding rolls start rolling. First, the hide from the rear quarter is pulled backwards and then the hide is pulled down further at a higher speed. When the puller is removed approximately 30 cm from the breast bone, the electrical stimulation is activated.

Once the carcass is fully dehid, the electrical stimulation device returns to the start position and is sterilized. The hide,

hanging vertically at the backside of the machine, is released automatically. The dehid chains return to the start position automatically.

The dehidder is suitable for a start/stop conveyor or a continuous conveyor (pusher).

The capacity of type 02028000H2 is 90 cattle per hour, including head and 120 cattle per hour, excluding head.

Why the type 02028000H2!

- Full stainless steel construction
- Plug and play
- Efficient and ergonomic in use
- Hygienic operation due to limited pre-dehid
- Front legs do not need securing
- Head dehid possible
- Limited skin damaging
- Includes electrical stimulation system with sterilization unit



Options

- Can be supplied with safety device (not included)
- The dehider needs to be equipped with lifting platforms on both sides (not included)
- The dehider can be equipped with a hook-relief system

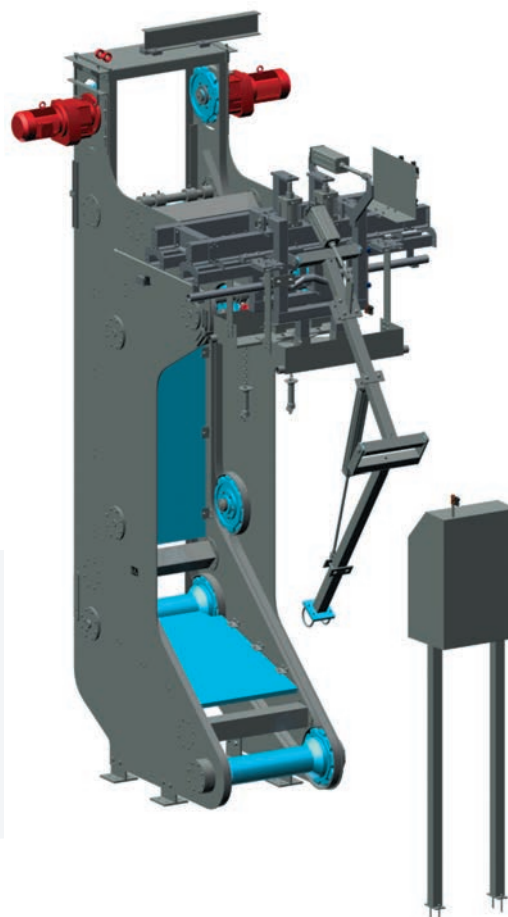
Safety and legal requirements

The hide puller type 02028000H2 is CE approved and designed in accordance with the EU and USDA regulations to meet the strictest demand on health and safety.

Technical data

Capacity	Up to 90 cattle p/h including head Up to 120 cattle p/h excluding head
Material	Stainless steel
Power supply	3x400V/50Hz/2x5.5Kw
Protection	IP55 standard
Control voltage	24V
Pneumatic	8 bar
Power in chains	14,500 N

Technical changes are subject to alterations.



Contact

UK: birmingham@frontmatec.com
Phone: +44 121 313 3564

NL: borculo@frontmatec.com
Phone: +31 545 259 999

DK: kolding@frontmatec.com
Phone: +45 763 427 00

ES: sallent@frontmatec.com
Phone: +34 938 380 835

frontmatec.com

DE: beckum@frontmatec.com
Phone: +49 252 185 070

US: kansas@frontmatec.com
Phone: +1 816 891 2440

RU: moscow@frontmatec.com
Phone: +7 495 424 9559

CN: shanghai@frontmatec.com
Phone: +86 215 859 4850